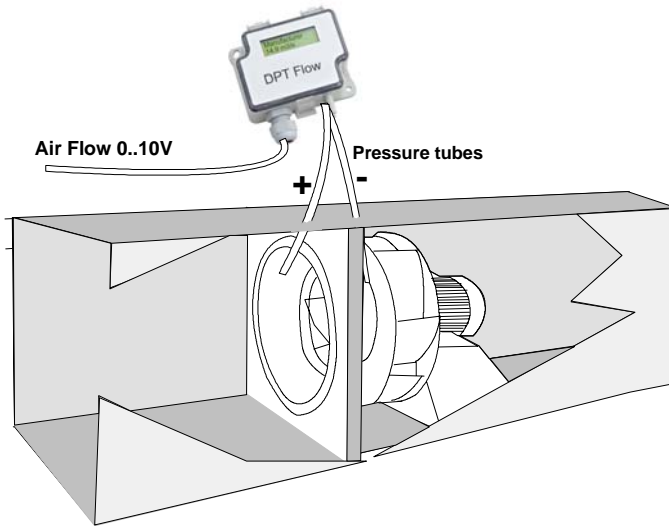


DPT FLOW ASSEMBLY INSTRUCTION

Pressure tubes

The pressure tubes are connected to the pressure inlets provided by Fan manufacturer. Please see the FAN manufacturer technical data sheet.



Supported FAN manufacturers are: Fläkt Woods, Rosenberg, Nicotra, Comefri, Ziehl, Ebm-Papst, Gebhardt

If the FAN manufacturer is not in the list, please check if the fan has been provided with the pressure inlets. If the fan has the inlets, the DPT Flow meter can likely be used to measure the FAN Flow, but at first the new manufacturer and formula of the FAN should be added to software of the DPT flow meter.

The needed information of the new fan:

K-value range e.g. k=10...1500

Formula for Flow e.g. $V\left(\frac{m^3}{h}\right) = k * \sqrt{\Delta P(Pa)}$

Electrical Connection Diagram

